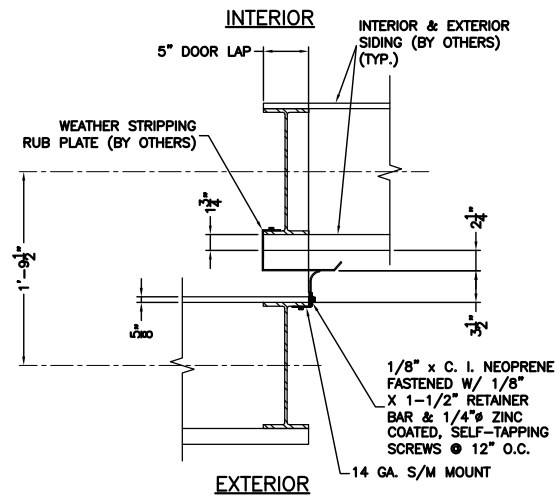
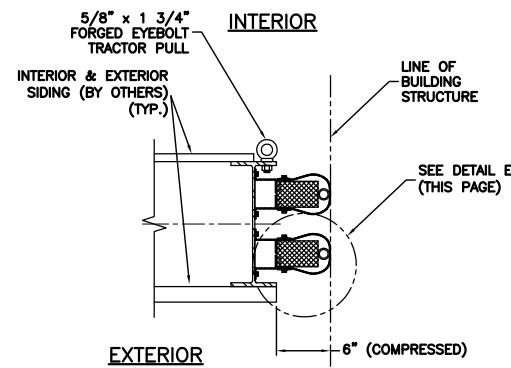


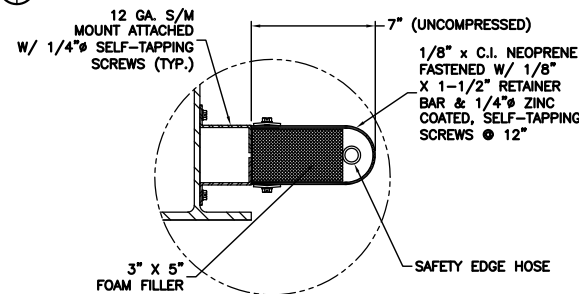
DETAIL A



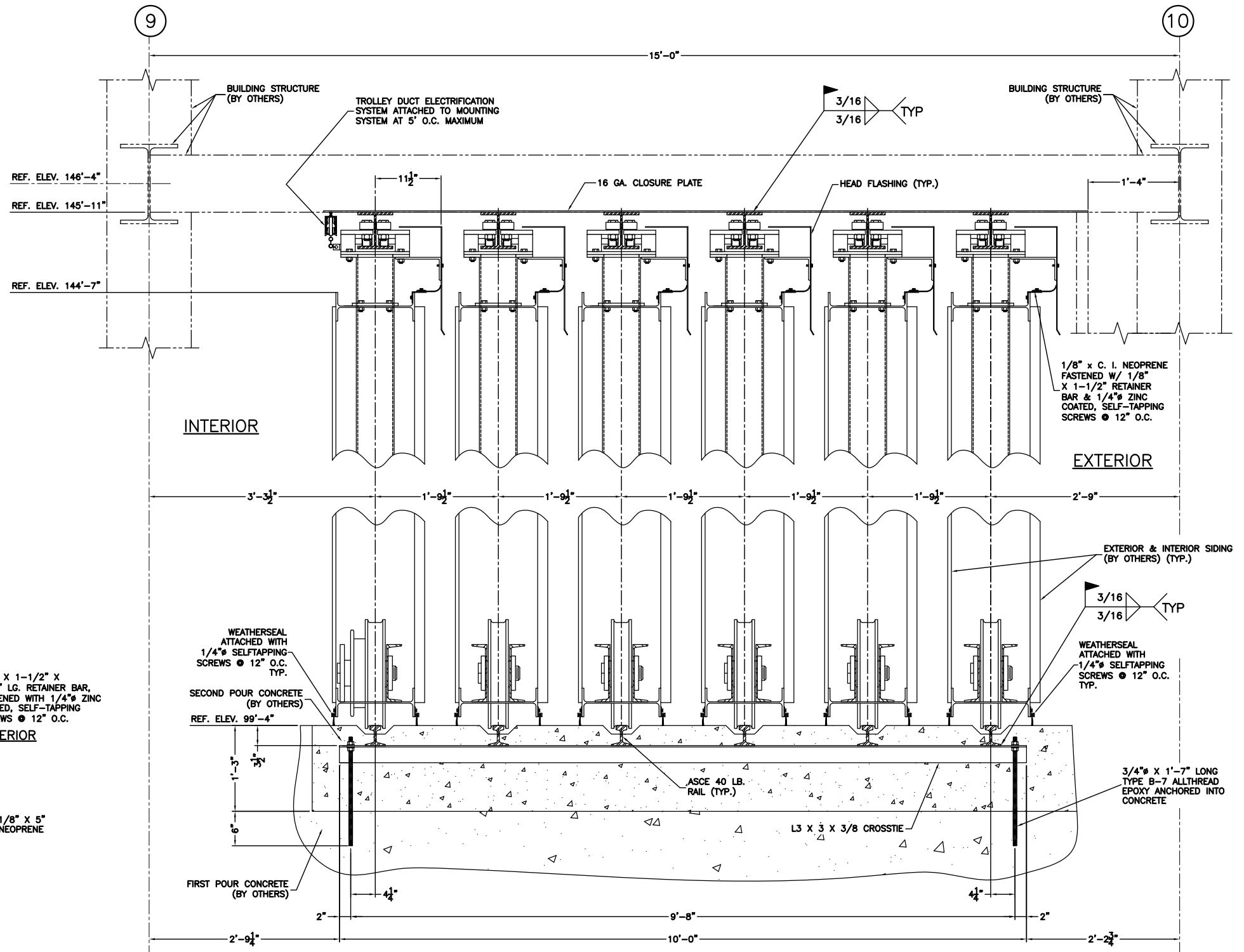
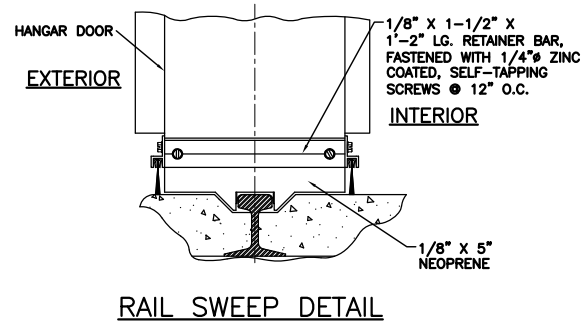
DETAIL B



DETAIL C



DETAIL E



SECTION D

**GENERAL SHOP PAINT NOTES:**

1. SURFACES OF ITEMS EMBEDDED IN CONCRETE SHALL NOT BE PAINTED.
2. SURFACES OF FERROUS METAL SHALL BE SAND BLASTED AS PER SSPC-SP-6
3. SHOP PRIMER TO BE ONE (1) COAT OF PRIMER CONFORMING TO SSPC PAINT 25 WITH 2.0 MIL DFT.

THIS DRAWING IS ISSUED WITH THE EXPRESSED AGREEMENT THAT THE DRAWING, AND INFORMATION THEREIN CONTAINED, ARE THE PROPERTY OF INDUSTRIAL DOOR CONTRACTORS INCORPORATED AND WILL NOT BE REPRODUCED OR COPIED IN WHOLE OR IN PART NOT USED FOR THE FABRICATION OR CONSTRUCTION OF MATERIALS EXCEPT UPON THE WRITTEN PERMISSION OF INDUSTRIAL DOOR CONTRACTORS INCORPORATED FIRST OBTAINED AND SPECIFIC AS TO USE.

ARCHITECT: \_\_\_\_\_

PROJECT NAME & LOCATION: HANGAR

SHEET TITLE: WEATHERSTRIPPING SECTIONS & DETAILS

INDUSTRIAL DOOR CONTRACTORS, INC. COLUMBIA, TENNESSEE

SCALE: NONE

DRAWN: IDC

CHECKED: IDC

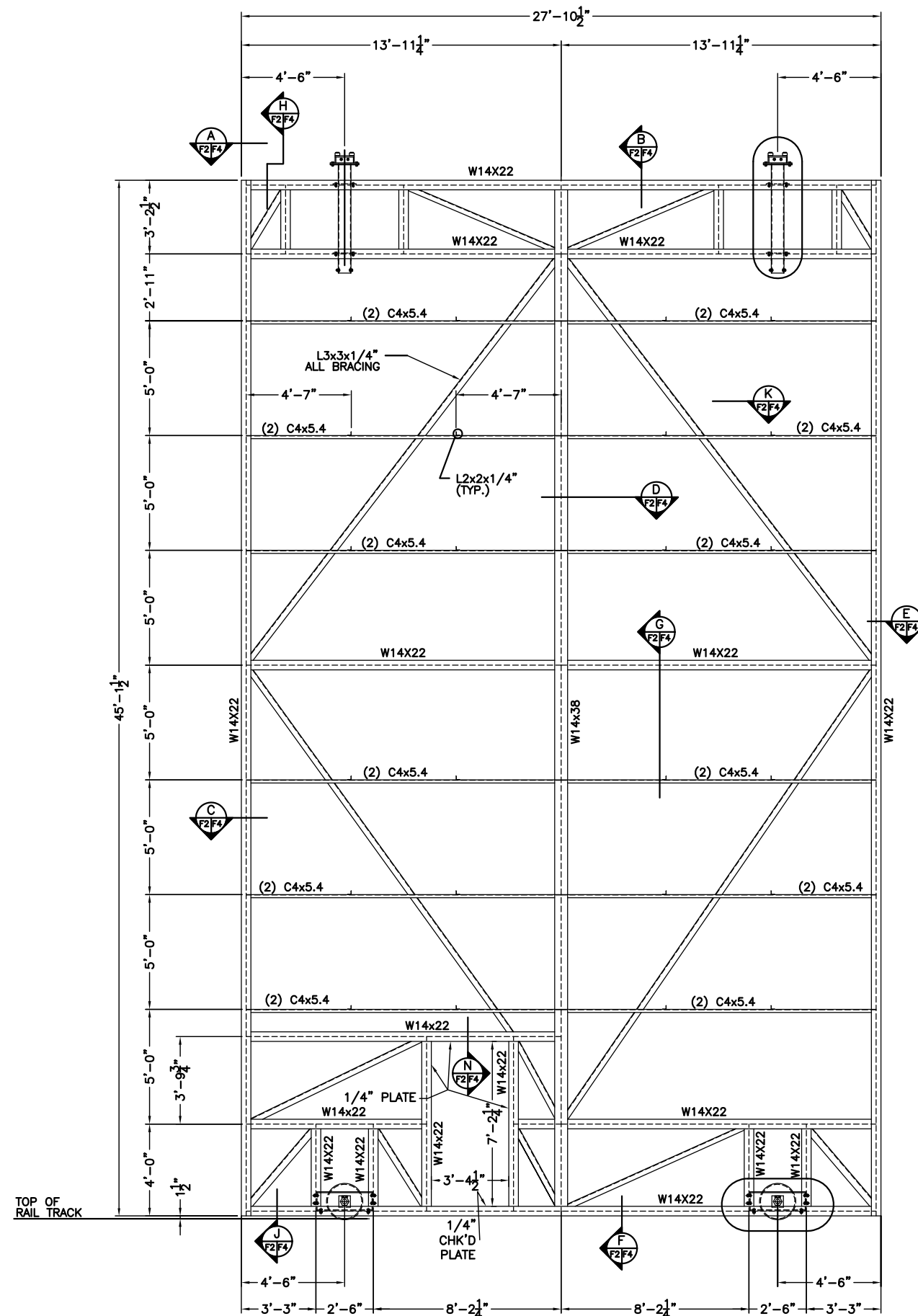
NO. REVISION: \_\_\_\_\_

DATE: 1-1-83

CONTRACT NO: \_\_\_\_\_

SHEET NO. **A4**

I.D.C. JOB #IDC



EXTERIOR STRUCTURAL ELEVATION OF IDLER W/ PERSONNEL DOOR

GENERAL SHOP PAINT NOTES:

1. SURFACES OF ITEMS EMBEDDED IN CONCRETE SHALL NOT BE PAINTED.
2. SURFACES OF FERROUS METAL SHALL BE SAND BLASTED AS PER SSPC-SP-6
3. SHOP PRIMER TO BE ONE (1) COAT OF PRIMER CONFORMING TO SSPC PAINT 25 WITH 2.0 MIL DFT.

THIS DRAWING IS ISSUED WITH THE EXPRESSED AGREEMENT THAT THE DRAWING, AND INFORMATION THEREIN CONTAINED, ARE THE PROPERTY OF INDUSTRIAL DOOR CONTRACTORS INCORPORATED AND WILL NOT BE REPRODUCED OR COPIED IN WHOLE OR IN PART NOT USED FOR THE FABRICATION OR CONSTRUCTION OF MATERIALS EXCEPT UPON THE WRITTEN PERMISSION OF INDUSTRIAL DOOR CONTRACTORS INCORPORATED FIRST OBTAINED AND SPECIFIC AS TO USE.

ARCHITECT:

GENERAL CONTRACTOR:

PROJECT NAME & LOCATION:

HANGAR

SHEET TITLE:

EXTERIOR ELEVATION OF IDLER DOOR WITH PERSONNEL DOOR

INDUSTRIAL DOOR CONTRACTORS, INC.  
COLUMBIA, TENNESSEE



SCALE:  
NONE

DRAWN: IDC

CHECKED: IDC

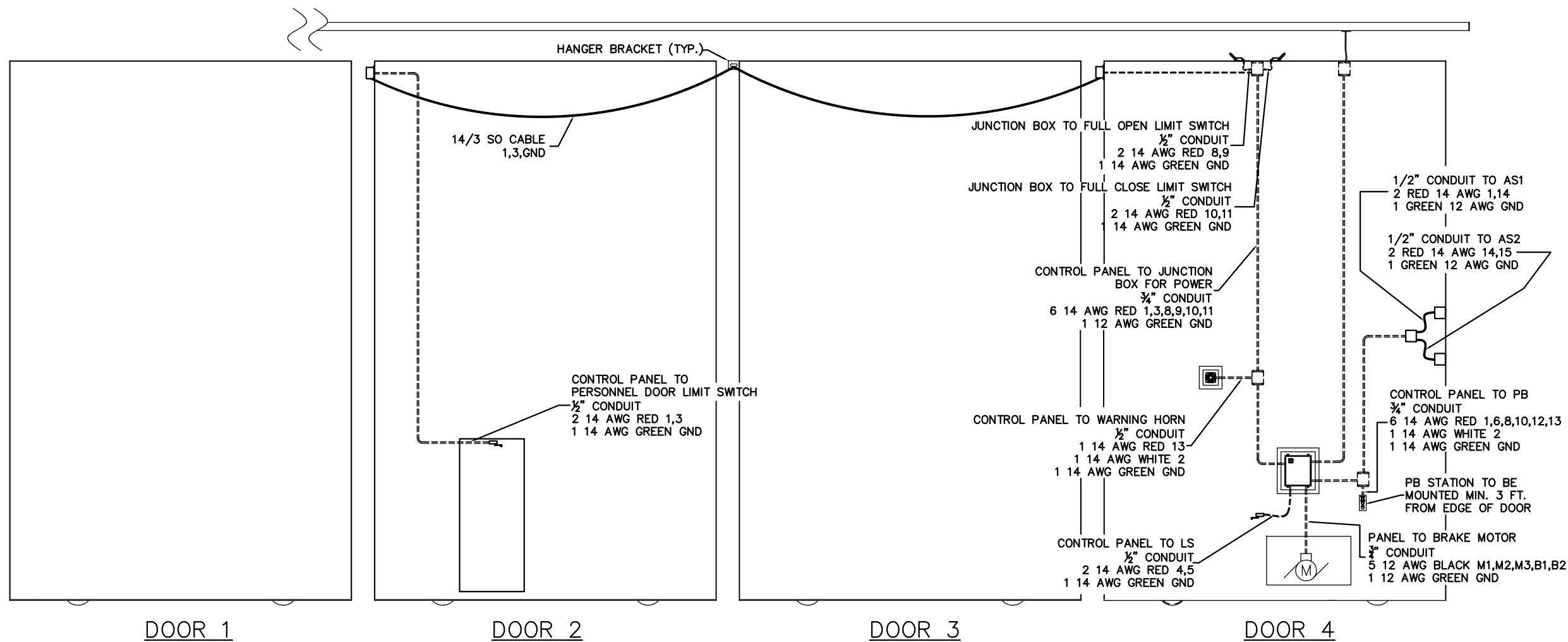
NO. REVISION:

DATE:  
1-1-83

CONTRACT NO:


SHEET NO.

F2



INTERIOR RISER DIAGRAM FOR HANGAR DOORS 1 THRU 4

THIS DRAWING IS ISSUED WITH THE EXPRESSED AGREEMENT THAT THE DRAWING, AND INFORMATION THEREIN CONTAINED, ARE THE PROPERTY OF INDUSTRIAL DOOR CONTRACTORS INCORPORATED AND WILL NOT BE REPRODUCED OR COPIED IN WHOLE OR IN PART NOT USED FOR THE FABRICATION OR CONSTRUCTION OF MATERIALS EXCEPT UPON THE WRITTEN PERMISSION OF INDUSTRIAL DOOR CONTRACTORS INCORPORATED FIRST OBTAINED AND SPECIFIC AS TO USE.

ARCHITECT:	GENERAL CONTRACTOR:
PROJECT NAME & LOCATION:	HANGAR
SHEET TITLE:	INTERIOR ELECTRICAL RISER DIAGRAM FOR HANGAR DOORS
INDUSTRIAL DOOR CONTRACTORS, INC. COLUMBIA, TENNESSEE	
	
SCALE:	NONE
DRAWN:	IDC
CHECKED:	IDC
NO.	REVISION:
DATE:	01-01-83
CONTRACT NO:	
SHEET NO.	